
QRPp+

Version 0.11

March 16, 2012

by

Chuck Adams, K7QO

`chuck.adams.k7qo@gmail.com`

Contents

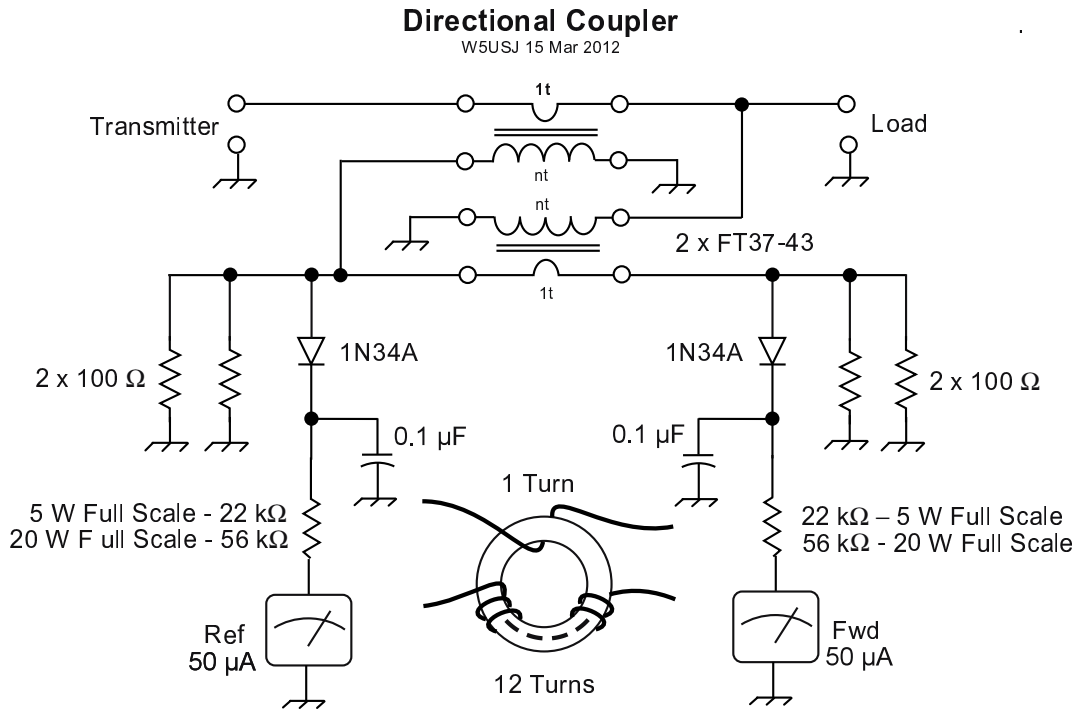
This document is written for the NorCal QRPP Journal that was edited and published by Doug Hendricks, KI6DS, from 1993 until 2004. QRPP Journal is a great collection of articles written for construction and technical references along with personal accounts of QRP and QRPP activity during a great period of growth in the QRP world. All the issues of QRPP have been made available on line for your own personal use. It may not be copied to any other on line site without the written consent of Doug Hendricks, KI6DS. To do otherwise will result in instant removal from qrp-tech and other notification of infringement.

Please help to keep this work complete and in one and only one place for access. The work is being updated from time to time.

This document will provide updates without having to redo a large file and have a large number of individuals have to download them again.

Volume 1, Number 1 June 1993

In "A Bi-Directional Inline Wattmeter" by David Stockton, G4ZNQ, page 7 the schematic is here redrawn by Chuck Carpenter, W5USJ.



Schematic 1. Directional Coupler.

Journal of the Northern California QRP Club
Volume #1, Issue 1, June 1993

From the Editor	2
Oak Hills Research WM-1 Wattmeter, A Review	3
Icom QRP	5
Reprinted from QRP Quarterly, July 88	
Bi-Directional Inline Wattmeter	6
Reprinted from Sprat #61	
A SMD Iambic Keyer System (Part 1)	11
Reprinted from Sprat #62	
A SMD Iambic Keyer System (Part 2)	14
Reprinted from Sprat #63	
The "Pebble Crusher 2"	17
Reprinted from Sprat #66	
"Pebble Crusher" Modifications	19
Reprinted from Sprat #72	
The Super Tee Antenna Tuner	20
Reprinted from Sprat #72	
Wide Range VXO's for 80, 40, 20 & 10 Meters	22
Reprinted from Sprat #72	
Finding Internal Resistance of Unmarked Meters	23
Reprinted from Sprat #72	
HC6U Adapter	23
Reprinted from Sprat #72	
The Micro-80 Minitransceiver	24
Reprinted from Sprat #72	
Member Profile: Doug Hendricks, KI6DS	25
Dayton 93	26
Member Profile: Jim Cates, WA6GER	30
The Lectrokit "Spider SP-1", A Review	31

Journal of the Northern California QRP Club
Volume #1, Issue 2, September 1993

From the Editor	2
Whither Thou Goest NorCal?	4
Member Profile: Wayne Burdick, N6KR	5
Arriving Soon: The NorCal Club Project	6
QRP Forever and Ever and Evermore	6
Making simple Paddles	8
Field Day, WT1M	8
Great wire Antenna	12
Field Day, AA2U	13
Dinosaur Valley DX Society FD	14
Field Day in Extreme HE Illinois	14
Battery FD	16
Zuni Looper Field Day	17
Field Day, N7WTM	18
Field Day, N2JGXJ	19
A Superhet Transceiver for 20 Meters	19
Reprinted and updated from QRP Quarterly	
MXM Transceiver	25
Hotel Antennas	26
Kent Keys	27
Homebrew PC Boards	28
TenTec Scout Model 555	29
Fun With spider	31
Oak Hills Research Spirit: A Review	33

Journal of the Northern California QRP Club
Volume #1, Issue 3, December 1993

From the Editor's Desk, Doug Hendricks, KI6DS	3
CW Trivia, Chuck Adams, K5FO	5
Thou Shalt Not Covet, Jim Catcs, WA6GER	6
OHR 20 Meter QRP Transceiver Kit Review, Stan Cooper, K4DRD	7
My Account of the ARCI Fall QSO Parry, Mark Cronenwett, KA7ULD	9
My First CW Contest, Warren Lewis, KD4YRN	9
Fall ARCI QSO Party, Marty Squicciarini, NR3Z	10
ARCI Fall QSO Party, Peter Hardie, VE5VA	11
ARCI Fall Contest, Randy Rand, AA2U	11
ARCI Fall QSO Party, Chuck Adams, K5FO	12
Contest Score - Zero.....Bill Kelsey, N8ET	13
Charging Sealed Lead Acid Type Batteries, Mike Furman, KD60CS	13
QRP and the Space Age, Mike Herr, WA6ARA	14
More on the MXM Transceiver, Chuck Adams, K5FO	17
A 40M Transceiver from Handbook Circuits, Mike Miller, WB6TMH	18
NorCal 40, A Club Project, Wayne Burdick, N6KR	20
Putting the NN1G on 40 Meters, Chuck Adams, K5FO	26
Wrinkle Paint Finish, Chuck Adams, K5FO	27
Making Homebrew PC Boards, Mont Pierce, KM6WT	28
The Magical Audio Filter, Jim Pepper, W6QIF	29
How to Increase Your QSO Rate, Chuck Adams, K5FO	33
TcnTec Scout, Model 555, A Review, Mike Siegel, KI6PR	34
The Uvermore Swap Meet Special, Terry Young, KC6SOC	38
NorCal QRP Club Awards Program, Doug Hendricks, KI6DS	40
Steve Cates, KC6TEV, Member Profile, Steve Cates, KC6TEV	41
Toroid Inductance Charts, Mike Czuhajewski, WA8MCQ	42
The Pixie 2,80 Meter Transceiver, David Joseph, WA6BOY	47
Tidbits, Members Hints & Kinks, Mark Cronenwett, KA7ULD	50
NorCal Membership List, Doug Hendricks, KI6DS	52
NorCal QRP Club Meeting Reports, Doug Hendricks, KI6DS	55
Member Profile, Clark Turner, WA3JPG	57
ARK 40, A Review, Jeff Gold, AC4HF	58